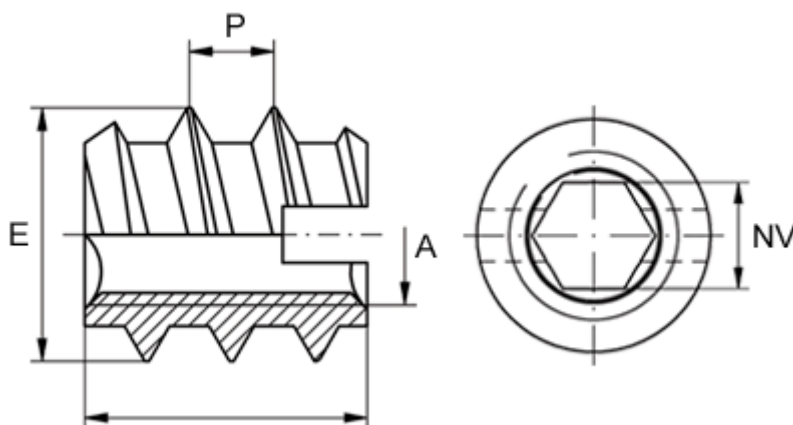


Data Sheet



Article number: 12309200060100
Description: KLEE-coil 309 200 060.100
M6 Unhardened steel

Measures



| | |
|--|--------------|
| Female thread A | = M6 |
| Internal hexagon NV +0.1 | = 5.0 |
| Length B | = 14 |
| Male thread E | = 10.0 |
| Min hole depth | = 17 |
| Recommended bore diameter (plastic/hard wood) | = 7.7 to 7.9 |
| Recommended bore diameter, soft wood (largest) | = 8.0 |
| Thread pitch P | = 4.0 |